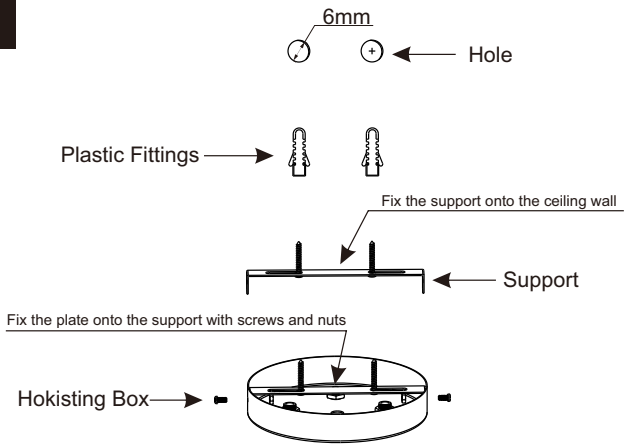
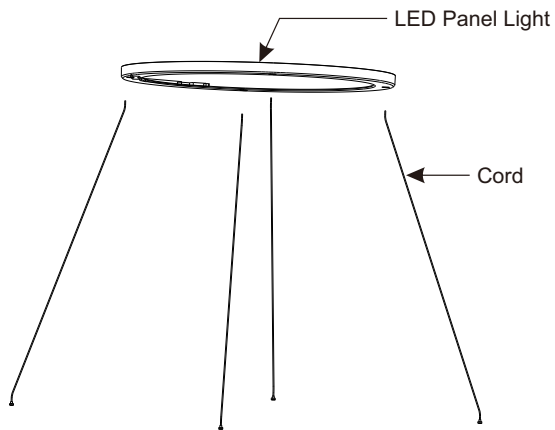


1



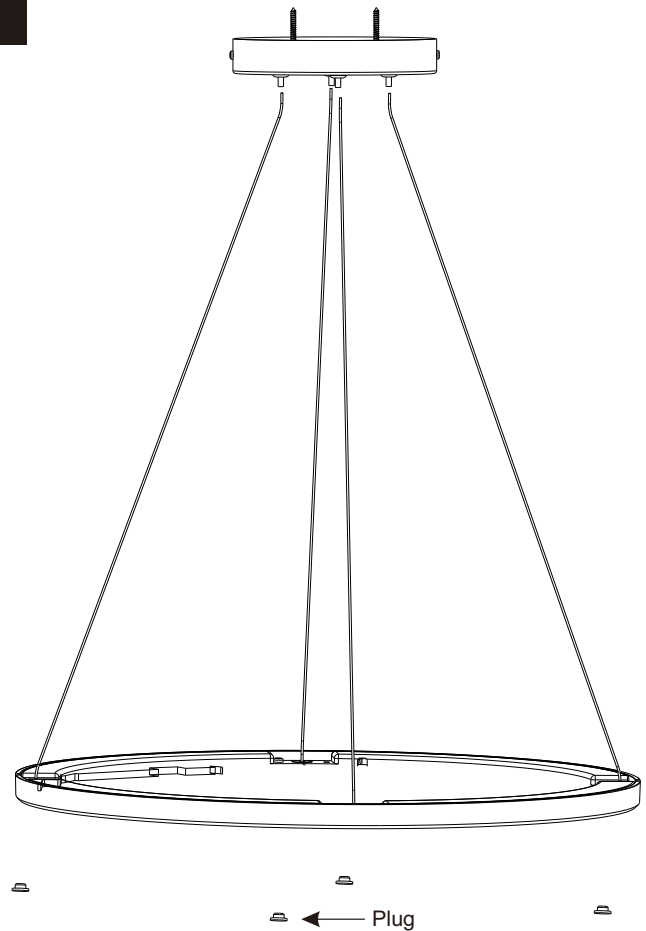
Fixed the box: Firstly, make two 6mm holes on the ceiling wall, then put the into the holes, fixed the support and the box with screws.

2



Fixed cord: make the cord through the light's 4 mounting holes.

3



Fixed the light: Press the plate's 4 column one by one, make the iron cord through the column to fix the iron cord, then plug the mounting holes.