

PRODUCT DESCRIPTION

The VS Series 2X2FT LED flat panel delivers high lumens of exceptional 82+ CRI light while achieving 110 lumens per watt. It is available in 4000k, 3000k DLC CCT options and has 0-10V dimming, which is perfect for new construction applications or retrofitting existing fluorescent troffer fixtures with recessed installation, widely used in office spaces, major retail stores, education, government, healthcare, and hospital.

PERFORMANCE SUMMARY

Efficacy: 110 lm/w @4,000 kelvin (90 lm/w @3,000 kelvin)

Delivered Light Output: 4,400 lumen @4,000K / 3,600 lumen @3,000K

Input Power: 40 Watt

CRI: Ra>80

DLC CCT: 3,000 kelvin / 4,000 kelvin

Input Voltage: 200-240 V AC

Diver Input: AC42V 1.8A

THD: <20%

Power Factor: >0.9

Standard Lifetime: Designed to L70 minimum 50,000 hours

Mounting: Recessed

0-10V dimming (20%-100% smooth dimming)

Signal Current: 0.92mA

Recommended Dimmers: DIVA-DTV(LUTRON), NOVA T NTSTV-DV(LUTRON)

Dimensions: 595 x 595 mm. / H: 17.3 mm.

Fixture measurement and weight are round up, pls contact your OKT representative for exact data.

REGULATORY & VOLUNTARY QUALIFICATIONS

ETL Listed Yes

cULus Listed E360437

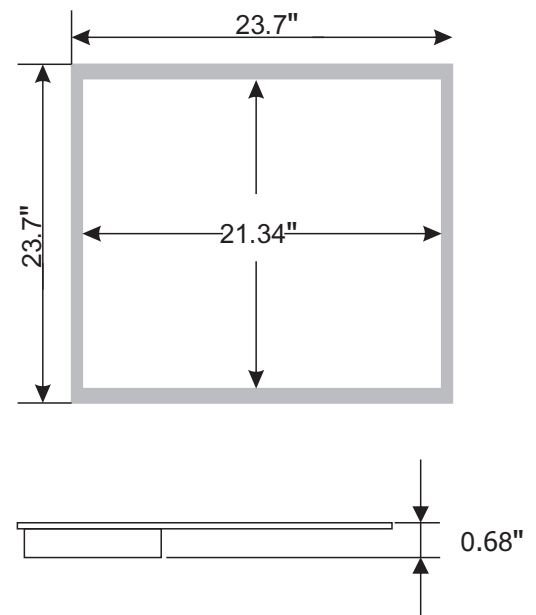
DLC Qualifications Yes

LM79 Report Yes

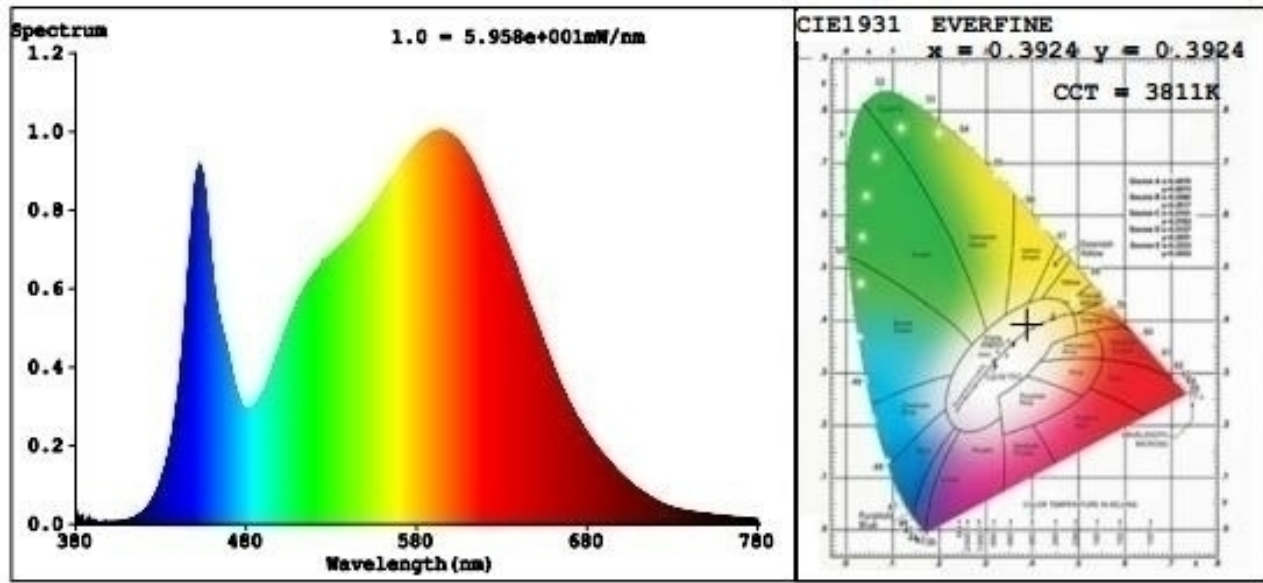
Damp Rated Yes

ORDER INFORMATION

Product category	Size mm.	Dimming	Fixture wattage	DLC CCT	Density
65200 65201	595x595	0-10 V Dimming	40W	4,000k 3,000k	IP40



SPECTRAL POWER DISTRIBUTION & CHROMATICITY DIAGRAM



ZONAL LUMEN TABULATION

Zonal Lumen Summary		
Zone	Lumens	% Luminaire
0-30	1188.1	27%
0-40	1,949.6	44.3%
0-60	3,461.6	78.7%
60-90	935.8	21.3%
70-100	388.9	8.8%
90-120	0.7	0%
0-90	4,397.4	99.9%
90-180	2.8	0.1%
0-180	4,400.2	100%

Lumens Per Zone					
Zone	Lumens	% Total	Zone	Lumens	% Total
0-10	144.4	3.3%	90-100	0.0	0%
10-20	414.2	9.4%	100-110	0.2	0%
20-30	629.4	14.3%	110-120	0.5	0%
30-40	761.6	17.3%	120-130	0.6	0%
40-50	793.2	18.0%	130-140	0.6	0%
50-60	718.7	16.3%	140-150	0.4	0%
60-70	546.9	12.4%	150-160	0.3	0%
70-80	310.1	7.0%	160-170	0.2	0%
80-90	78.8	1.8%	170-180	0.1	0%

PHOTOMETRIC DATA

